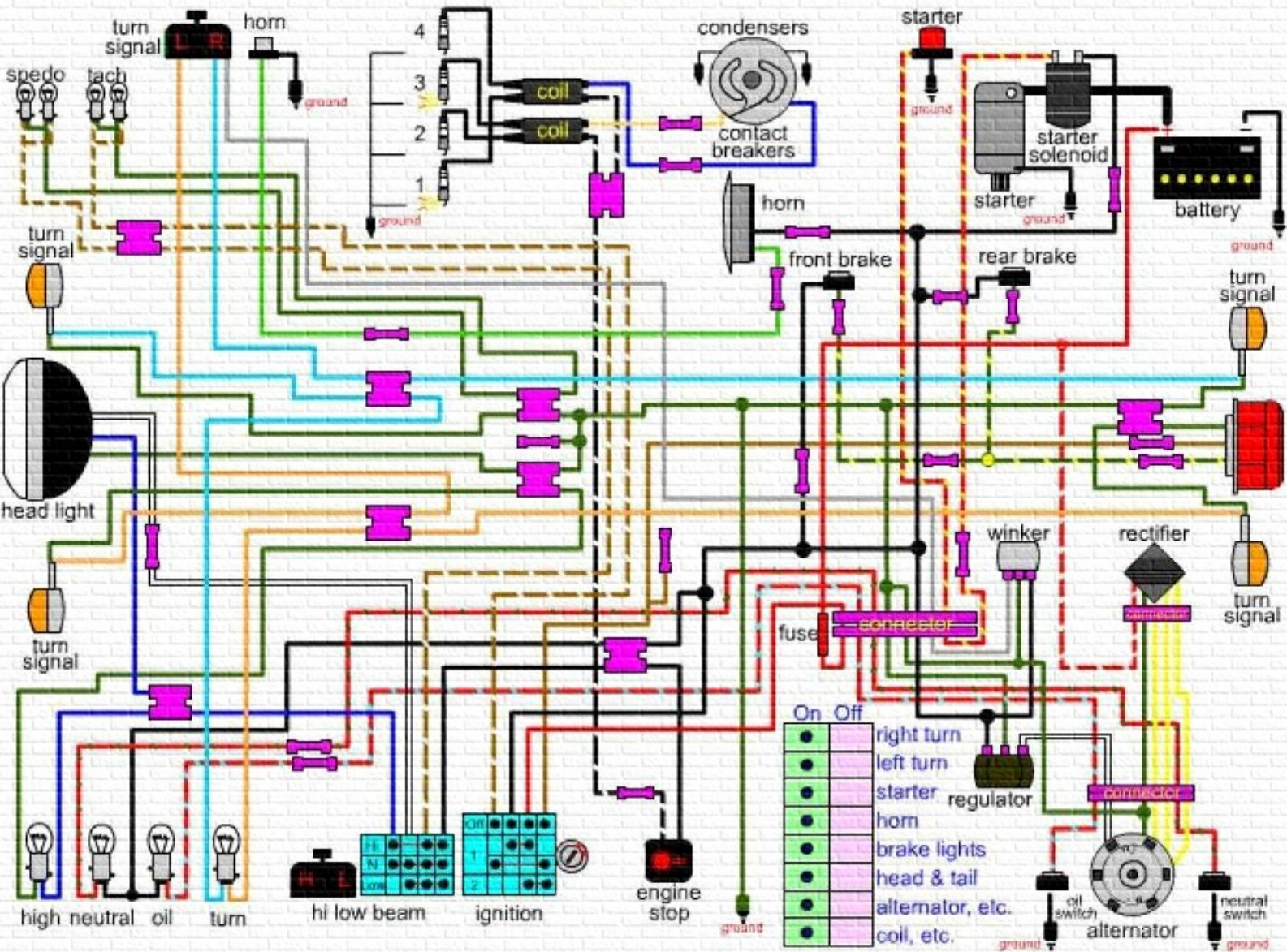


Honda CB500 Four CB 500 Electrical Wiring Harness Diagram Schematic



OEM PARTS & ACCESSORIES

Click on links below

[*Honda SOHC4 OEM Parts & Online Schematics*](#)

[*Honda Cruiser Parts & Accessories*](#)

[*Honda Motorcycle Parts & Accessories*](#)

[*Save Up to 45% on Motorcycle Tires*](#)

[*Motorcycle Gear Closeout Sale*](#)

[*Cycle Gear Free Shipping*](#)

[*Honda CB550 Chain & Sprocket Kit*](#)

[*Honda CB550 CB500 Fork Boot Gaiter Set*](#)

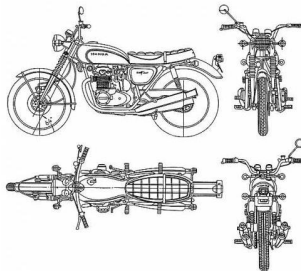
[*Honda CB550 CB500 Left Sidecover*](#)

[*Honda CB550 CB500 Right Sidecover*](#)

[*Honda CB500 Piston Ring Set*](#)

[*Honda CB550 CB500 New Rear Shock Absorber*](#)

*Classic Cycles
Technical Resources*



[*www.ClassicCycles.org*](http://www.ClassicCycles.org)

[*www.ClassicCycles.org*](http://www.ClassicCycles.org)